

## Product Information Vibrating lump breaker II

**Description** The vibrating lump breaker breaks sand lumps and separates grains of sand to prepare them for the mechanical regeneration.

The used sand lumps are collected in the partly slotted crusher trough and destroyed by vibration with each other. The used sand falling through the slots now gets on a sieve, where the sieving takes place.

The grain size is determined by the sieve mesh width.

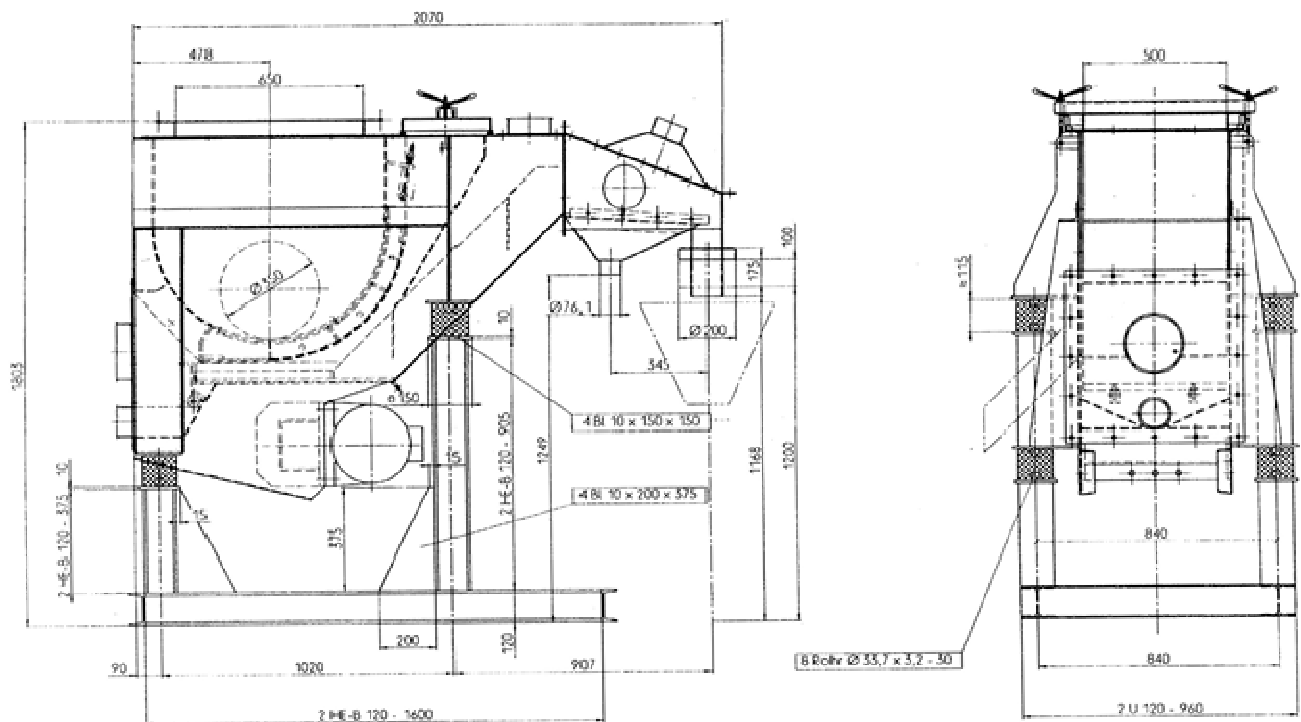
Foreign objects, such as iron and aluminum parts, etc., which accumulate in the crusher trough, must be taken by hand at certain time intervals (inspection door).

Sieve residues are automatically discharged to the rear.

Depending on the degree of filling and the method a throughput of about 0,5 – 1 t / h is possible.

<b>Technical data</b>	Dimensions:	Filling hole:	approx. 500 x 800 mm
		Assembly size:	approx. 1.000 x 2.100 mm
		Total height:	approx. 1.700 mm

**Remark** Other sizes are available on request.



All information in this data sheet are based on our current knowledge and experience. A legally binding assurance of certain properties or suitability for a specific purpose cannot be derived. Each user of our products has to verify the usability for its specific purpose in his personal responsibility. Rights must be observed if required.

HN/MT

status 09/16